



deltasteamsystems

DSV™

VENTURI ORIFICE STEAM TRAP



Description

The Delta DSV™ Venturi Orifice Steam Trap is designed for multipurpose applications from line drainage and trace heating, through to small to medium heat exchanger applications. The trap has a primary and secondary integrated strainer and a removable orifice insert. The body of the trap does not have to be removed from the line for maintenance purposes. Access to the insert orifice and both primary and secondary strainers is via the top and bottom caps.

Standards

This product fully complies with the requirements of the European Pressure Equipment Directive 97/23/EC as well as SANS 347:2007.

Certification

Manufacturer's test report is available with this product. Additional certification requirements to be stated at time of order.

Sizes and Connections

DN15 (1/2"), DN20 (3/4")

Threaded / Socket Weld

Optional extras

Optional blow down valve available for periodic cleaning of the filter.

Pressure / temperature limits

PMA (Maximum Allowable Pressure)	100 bar g (1450psi g)
TMA (Maximum Allowable Temperature)	550°C (1022°F)
PMO (Maximum Operating Pressure)	62 bar g (899 psi g)
TMO (Maximum Operating Temperature)	550°C (1022°F)

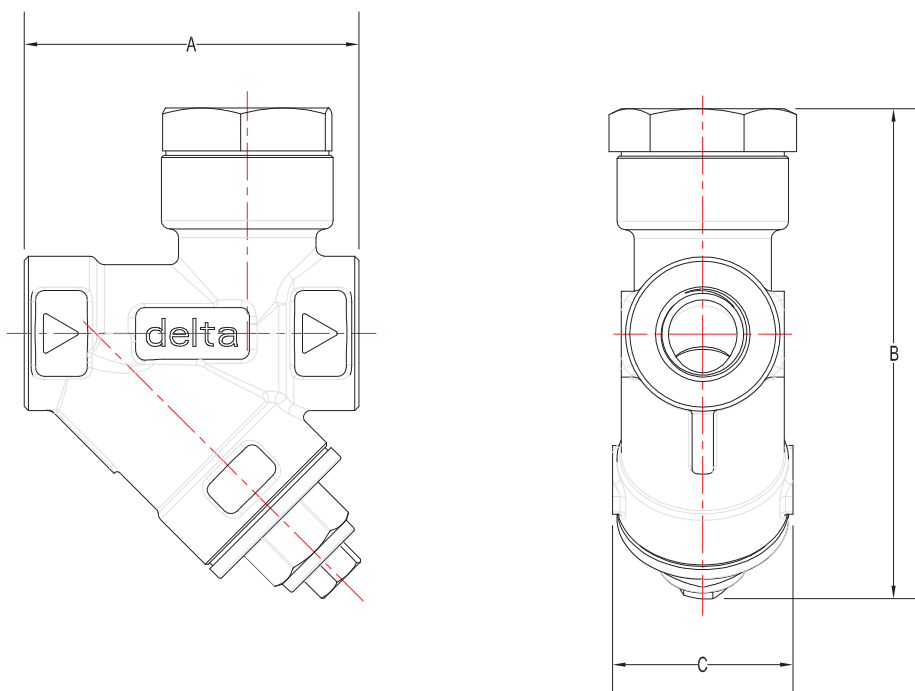
Cold hydraulic test pressure 200 bar g (2900 psi g)

Guarantee

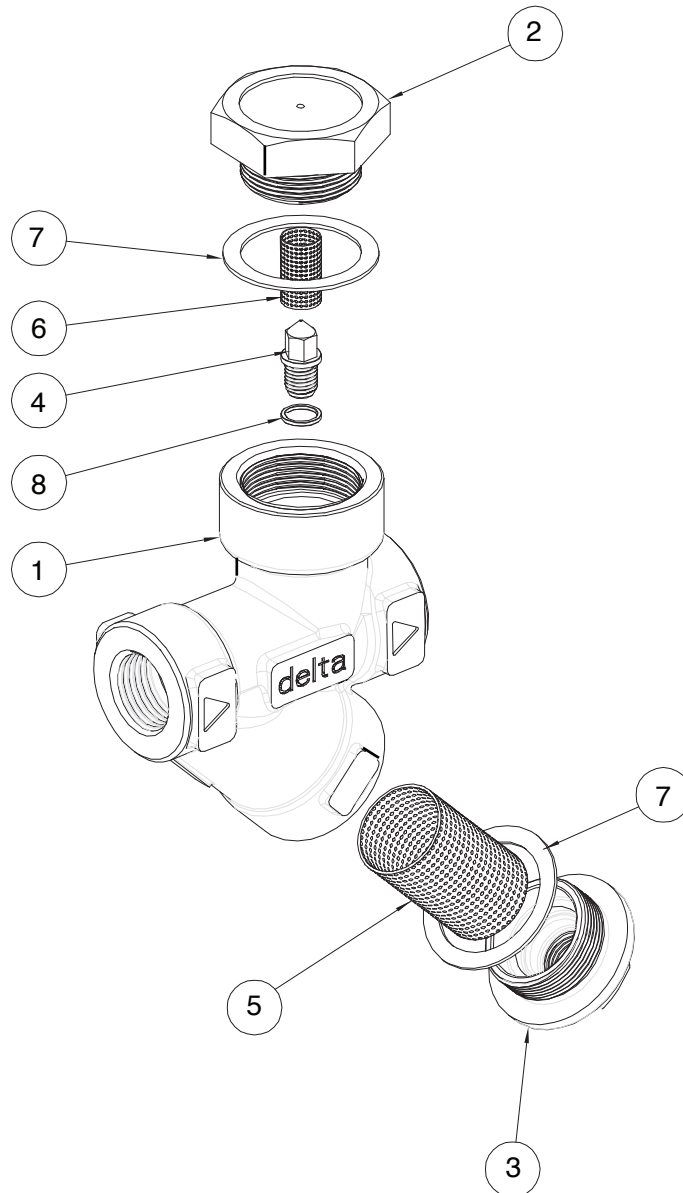
10 year product guarantee as per standard terms and conditions

Dimensions and weights

Size	Connection	A	B	C	Weight
DN15 (1/2")	DN15 Threaded BSP, NPT / Socket Weld	78 mm	114 mm	42 mm	1 kg
DN20 (3/4")	DN20 Threaded BSP / Socket Weld	78 mm	114 mm	42 mm	1 kg



Assembly



No.	Part	Material
1	Body	ASTM A351 – CF3M
2	Top Cap	ASTM A351 – CF3M
3	Strainer Cap	ASTM A351 – CF3M
4	Removable Orifice Insert	304 Stainless Steel
5	Primary Strainer	316 Stainless Steel
6	Secondary Strainer	316 Stainless Steel
7	Gasket	Graphite
8	Orifice Insert Gasket	Graphite

Torque Settings

2	Top Cap	80 Nm
3	Strainer Cap	80 Nm
4	Removable Orifice Insert	10 Nm