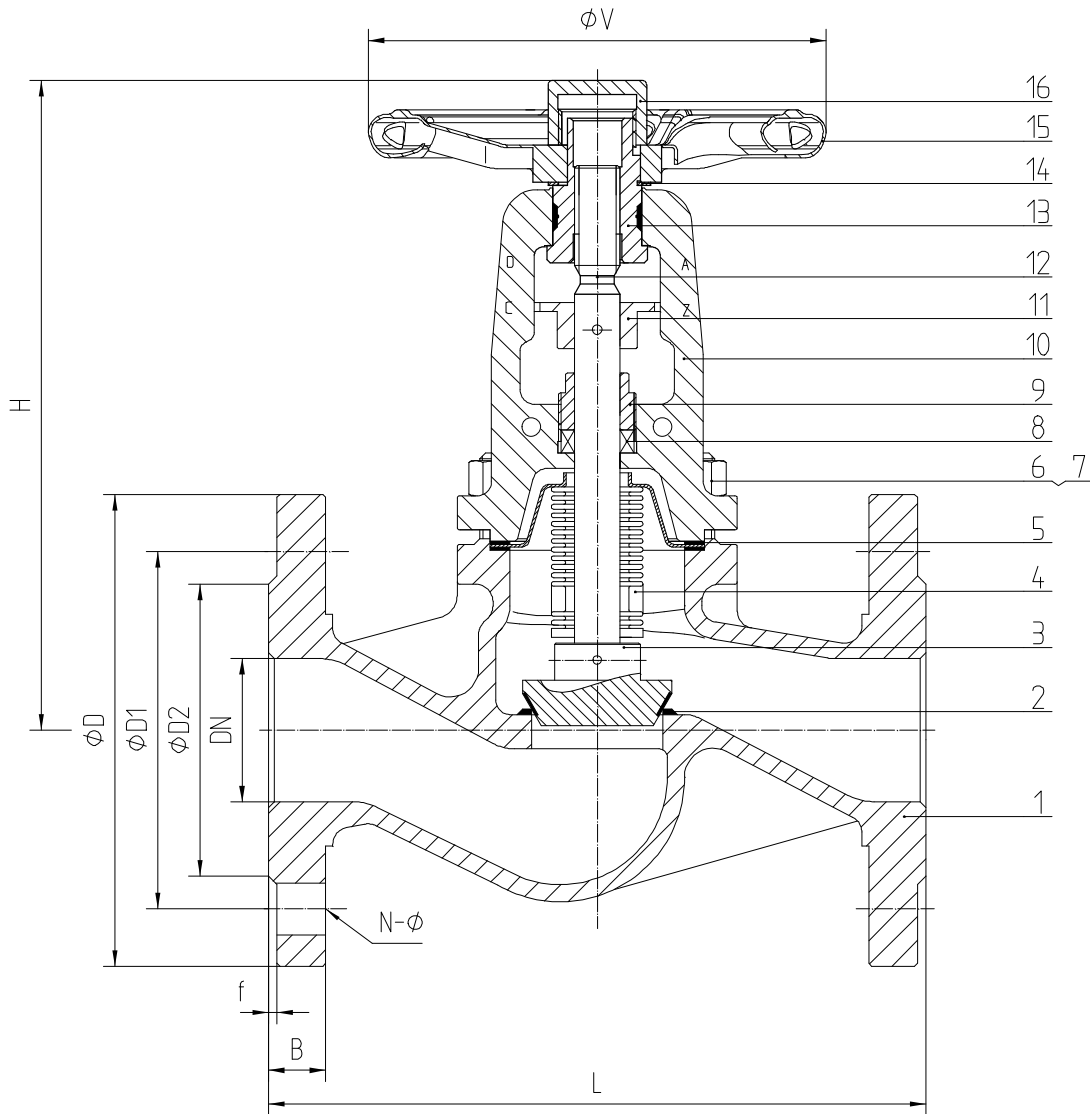


| DN | L   | PN25 Main Dimension <mm> |     |     |    |   |      |     |     |
|----|-----|--------------------------|-----|-----|----|---|------|-----|-----|
|    |     | D                        | D1  | D2  | B  | f | N-φ  | H   | φV  |
| 25 | 160 | 115                      | 85  | 68  | 18 | 2 | 4x14 | 200 | 140 |
| 40 | 200 | 150                      | 110 | 88  | 18 | 3 | 4x18 | 225 | 160 |
| 50 | 230 | 165                      | 125 | 102 | 20 | 3 | 4x18 | 228 | 160 |



| 16 | Lock Nut          | C228                 |         |
|----|-------------------|----------------------|---------|
| 15 | Handwheel         | Steel                |         |
| 14 | Circlip           | 65Mn                 |         |
| 13 | Yoke Nut          | GGG40.3              |         |
| 12 | Stem              | X20Cr13              |         |
| 11 | No Rot Device     | SS301                |         |
| 10 | Bannet            | DIN 17245 GS-C25     |         |
| 9  | Gland             | 10460                |         |
| 8  | Packing           | Graphite             |         |
| 7  | Bolts             | ASTM A193 B7         |         |
| 6  | Hexagon Nut       | ASTM A194 2H         |         |
| 5  | Gasket            | SS304+Graphite       |         |
| 4  | Bellows Seal      | SS304                |         |
| 3  | Disc+Seat Surface | C228 Overlay X20Cr13 |         |
| 2  | Seat Surface      | Overlay X20Cr13      |         |
| 1  | Body              | DIN 17245 GS-C25     |         |
| NO | PART NAME         | MATERIAL             | REMARKS |

DIN Bellows Sealed Stop Valve PN25 FIG.P.062  
Adjustable Disc Design

|                         |               |
|-------------------------|---------------|
| Design and Manufacture  | BS EN 13709   |
| Face to Face Dimensions | BS EN 558-1   |
| Flange Ends Dimensions  | BS EN 1092-B1 |
| Pressure Test           | BS EN 12266   |

 **ETM VALVE CO., LTD**