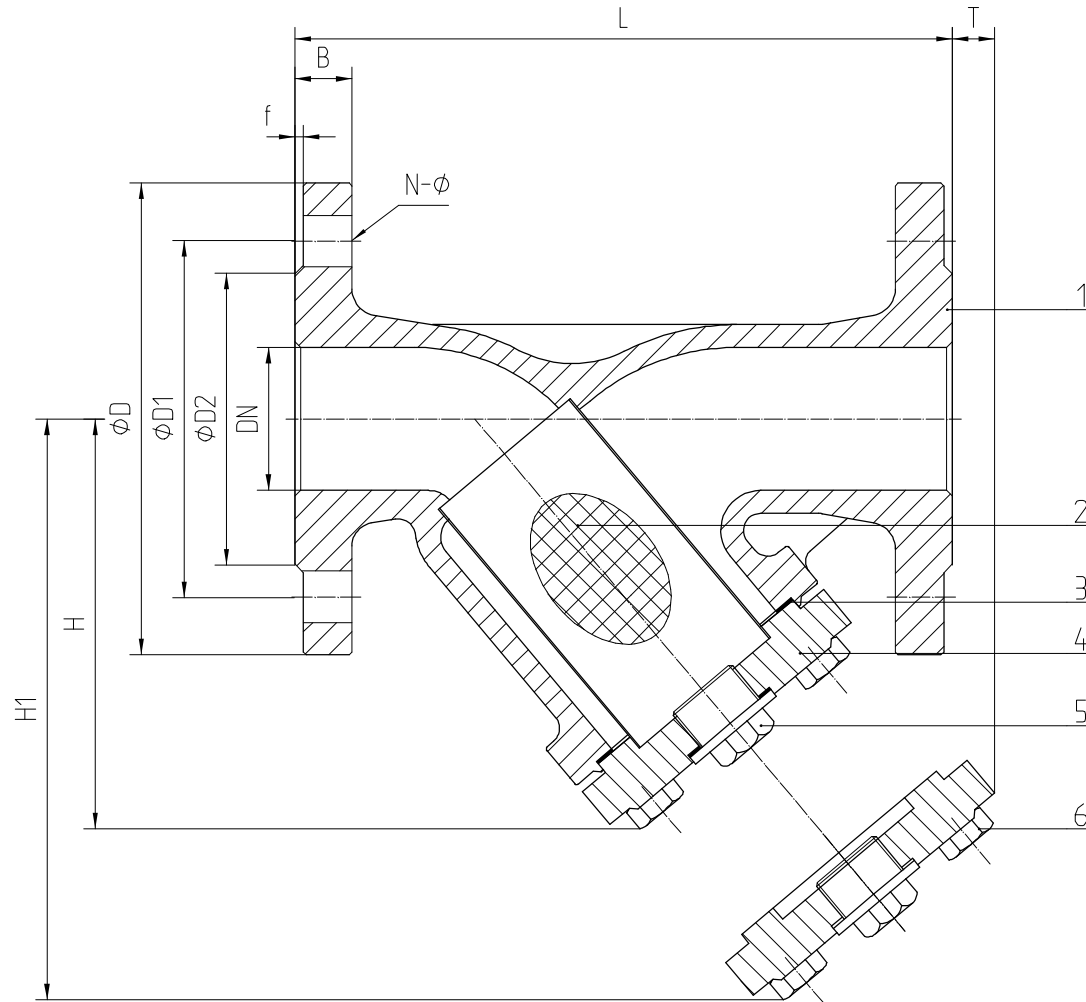


DN	L	PN25 Main Dimension (mm)								
		D	D1	D2	B	f	N- ϕ	H	H1	F
32	180	140	100	78	18	2	4x18	118	185	25
50	230	165	125	102	20	3	4x18	140	225	35



6	Bolts	ASTM A193 B7	
5	Drain Plug	DIN 17243 C22.8	
4	Cover	DIN 17243 C22.8	
3	Gasket	SS304+Graphite	
2	Screen	DIN 14301	
1	Body	DIN 17245 GS-C25	
NO	PART NAME	MATERIAL	REMARKS

DIN Y Type Strainer PN25 FIG.T.831

Design and Manufacture	BS EN 13709
Face to Face Dimensions	BS EN 558-1
Flange Ends Dimensions	BS EN 1092-B1
Pressure Test	BS EN 12266

 **ETM VALVE CO., LTD**