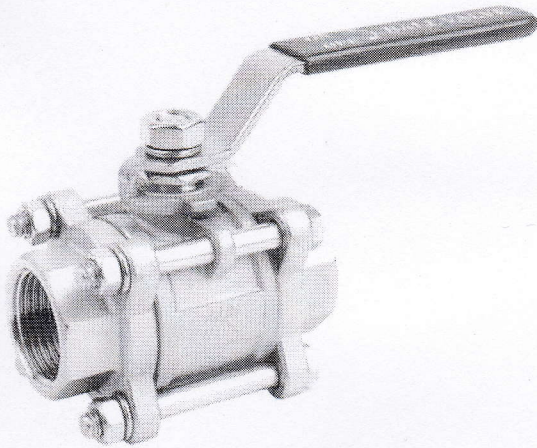


**SCREWED / BUTT WELD / SOCKET WELD END
3-PIECE, FULL PORT**



V-3E TYPE
SIZE: 1/4"~4"



STAINLESS STEEL

AISI-316 (EN10213-4 1.4408) (ASTM-A351-CF8M)

AISI-304 (EN10213-4 1.4308) (ASTM-A351-CF8)

CARBON STEEL

S-20C (EN10213-2 1.0619) (ASTM-A216-WCB)

FEATURES:

*Pipe thread in accordance with ANSI B2.1, BS 21 1973,
DIN 259/2999, ISO 228

*Lug body

*Blow-out proof stem

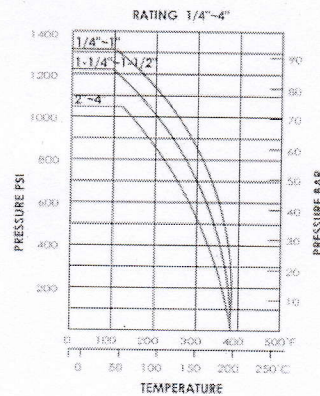
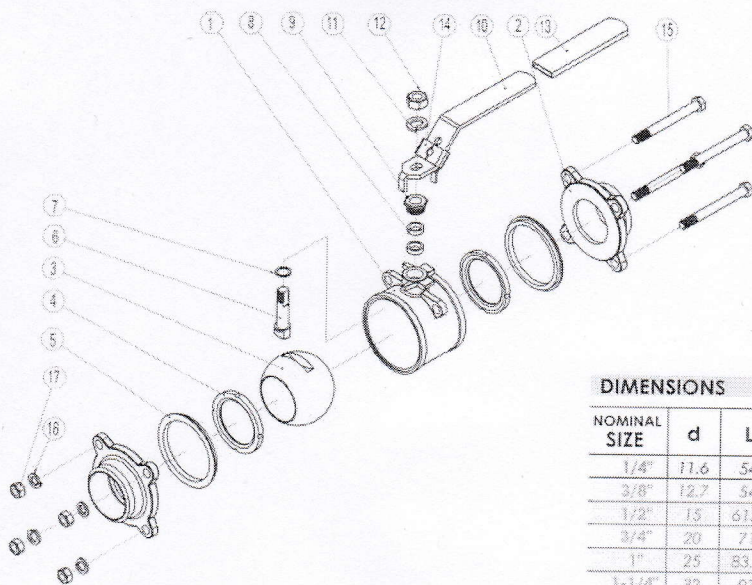
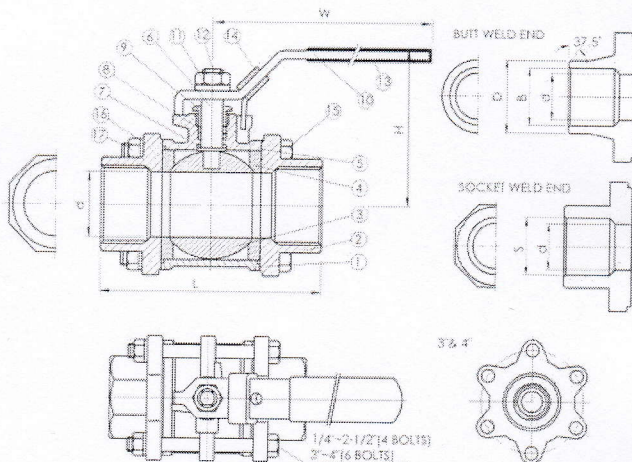
*Investment casting body and cap

*1000 WOG (63 BAR)

OPTION: Locking device

Reduced port (Different mould)

ITEM	PARTS	Q'TY	MATERIALS	
1	BODY	1	ASTM-A351-CF8M	ASTM-A216-WCB
2	CAP	2	ASTM-A351-CF8M	ASTM-A216-WCB
3	BALL	1	ASTM-A351-CF8M	ASTM-A351-CF8
4	BALL SEAT	2	PTFE	PTFE
5	JOINT GASKET	2	PTFE	PTFE
6	STEM	1	AISI 316	AISI 304
7	THRUST WASHER	1	PTFE	PTFE
8	STEM PACKING	2	PTFE	PTFE
9	GLAND NUT	1	AISI 304	AISI 304
10	HANDLE	1	AISI 304	AISI 304
11	STEM WASHER	1	AISI 304	AISI 304
12	STEM NUT	1	AISI 304	AISI 304
13	PLASTIC COVER	1	PLASTIC	PLASTIC
14	LOCK DEVICE	1	AISI 304	AISI 304
15	BOLT	4~6	AISI 304	AISI 304
16	SPRING WASHER	4~6	AISI 304	AISI 304
17	HEX NUT	4~6	AISI 304	AISI 304



DIMENSIONS

UNIT:mm

NOMINAL SIZE	d	L	H	W	B	D	S	Cv FACTOR	TORQUE kgf-cm	KG
1/4"	11.6	54	51	95	12	18	14.1	6.6	40	0.34
3/8"	12.7	54	51	95	12.52	18	17.6	7.9	40	0.34
1/2"	15	61.5	55	95	15.8	22	21.7	11.2	54	0.46
3/4"	20	71	58.5	110	20.93	28	27.2	21	74	0.62
1"	25	83.5	73	135	26.64	34	32.9	34	104	0.96
1-1/4"	32	97	78.5	135	35.05	44	42.6	57	135	1.49
1-1/2"	38	110.5	90.5	165	40.9	50	48.7	80	180	2
2"	50	129	99	165	52.5	61.5	61.1	148	250	3.12
2-1/2"	65	171.5	127	215	69	76	76.9	265	480	6.5
3"	80	209	136	215	82	90	89.8	415	750	10.42
4"	100	252	172	325	106	115	113.4	780	1100	20.2